


PRODUCT SHEET

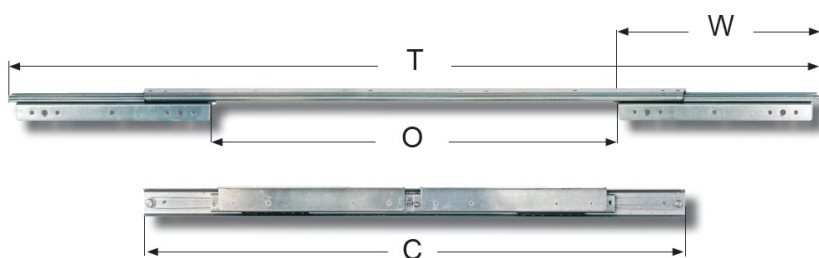
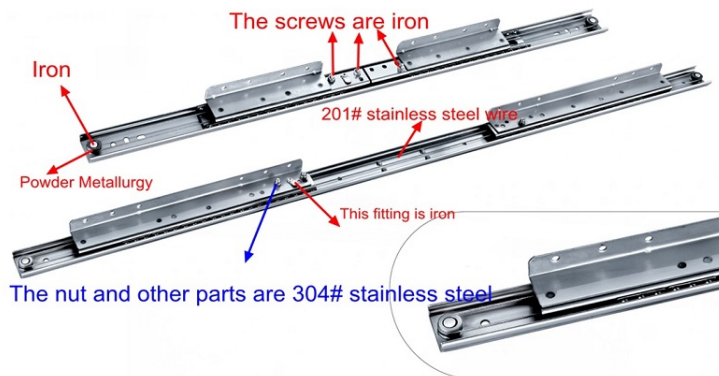
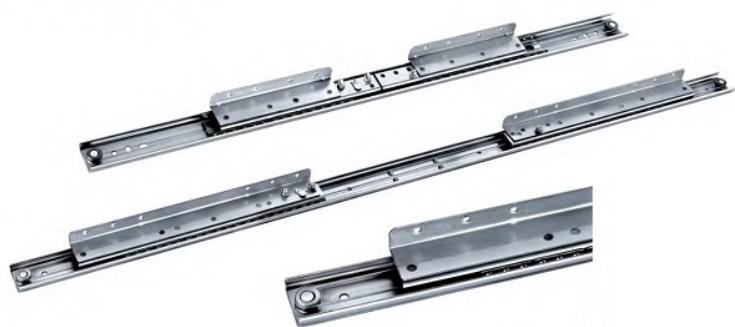
Description:

Synchron Slide SS-304, 1250/1020, Opening 1020mm, Wing 370mm, Total Open Length: 1830mm, Closed Length: 1250mm, Load Cap., 60 Kg. Profile Height: 38mm, Mounting Height: 40,5mm, SS-304, Thickness 1,5mm

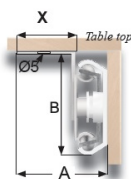
Item number:

24.03.559-0

Units	Box	Carton	HS Code	Barcode
Pair	1	8	8302420090	
5704866492256				



In mm	Model Synchronic »SS-304« Stainless Steel - 304
Opening (O)	1020
Closed Length (C)	1250
Total Length (T)	1830
Wing Size (W)	370
Slide Width (A)	34,50
Slide Height (B)	39
Wing Width (X)	20
Load Capacity	60 kg.
Item No.:	24.03.559



* Illustration only
for measurement use

Other sizes on request

SISO A/S

Mileparken 11
DK-2740 Skovlunde
Denmark
VAT: DK 24786013

Phone +45 45 830 900

www.siso.dk
siso@siso.dk

Danske Bank
Nytorv Branch
Copenhagen
SWIFT: DABADKKK

Account no.
4180 3112 112936
IBAN Account
DK7230003112112936